



**INSTALLATION
OPERATION AND SERVICE MANUAL
FFM-30. . .-X1 SERIES
AIR CURTAIN**

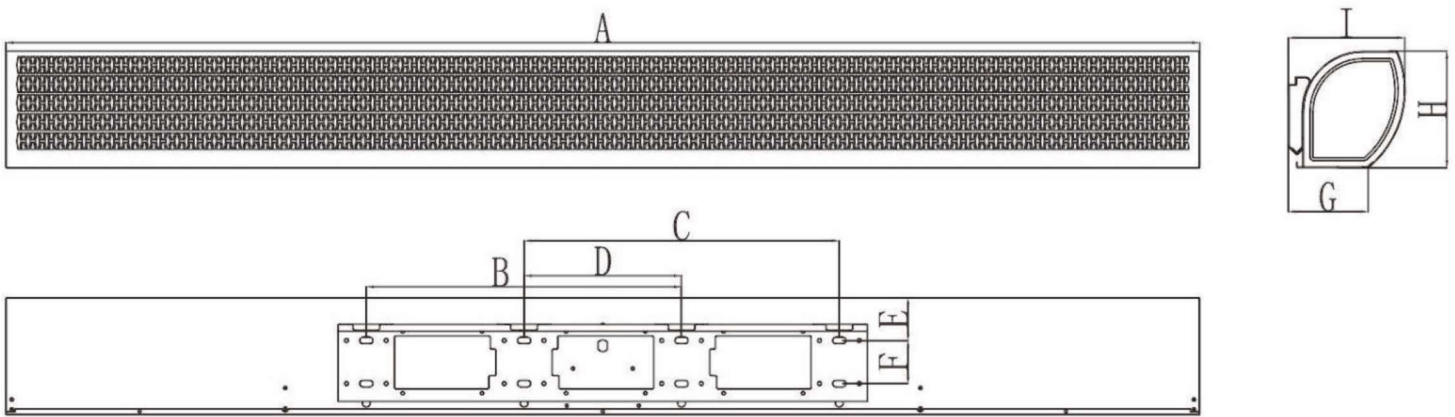


2010 V.1.0

1、 PRODUCT INTRODUCTION

As one of the new top-class products for modern decoration, air curtain is also matched with the air-conditioner. And it is installed at the entrances of supermarket, theater, meeting room, hotel, office room, work shop and storeroom to prevent the dust, mosquito and warm air, and so on.

2、 IDENTIFICATION & INSTALLATION DIMENSIONS (mm)

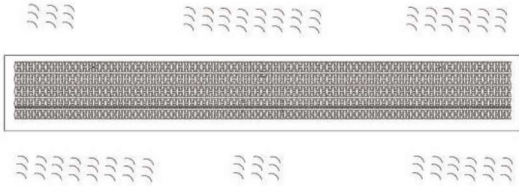


MODEL	A	B	C	D	E	F	G	H	I
FFM-3009-Y-X1	910	420	—	—	64.5	55	120	175	176
FFM-3012-Y-X1	1212								
FFM-3015-Y-X1	1515								

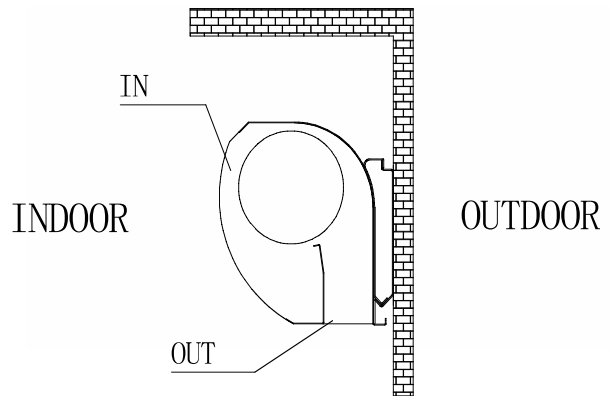
3、 INSTALLATION PRECAUTION

Ensure to follow the guideline for installation :

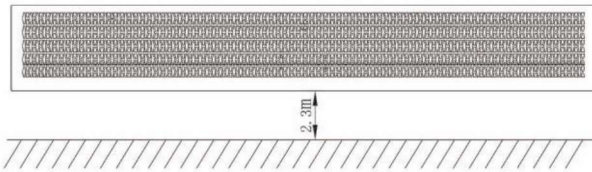
3.1 Please install the unit in a sturdy place to avoid any shaking, vibration or noise. The unit should be securely fixed.



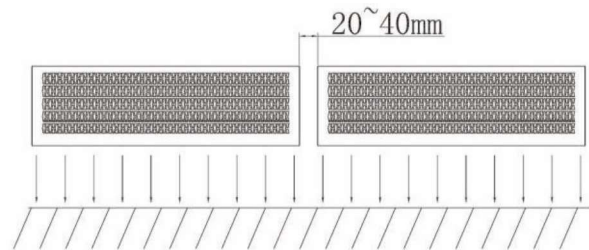
3.2 Please install the unit inside the room.



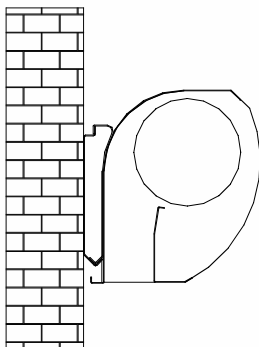
3.3 Install the unit no less than 2.3 meters measuring from the ground.



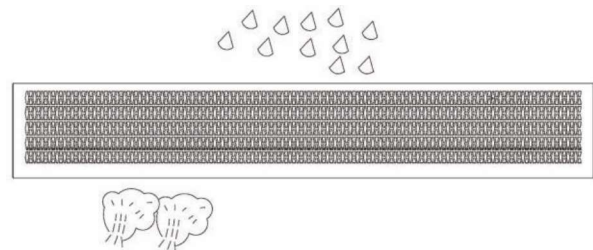
3.4 When the entrance is wider than the unit, it is recommended to install two or more units in series. In this case, provide 20-40mm gaps between the units.



3.5 Don't allow spaces between the unit and the wall. When hanging it from the ceiling, use the enclosed ceiling brackets.



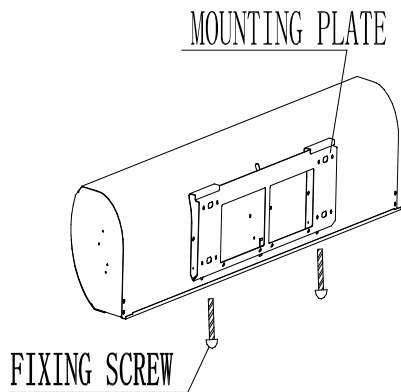
3.6 Don't install the unit in a place where it is splashed by water, exposed to excessive steam, explosive gas or corrosive gas.



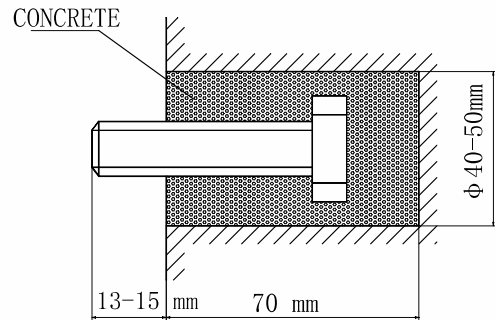
4、INSTALLATION

A、Installing against a concrete wall:

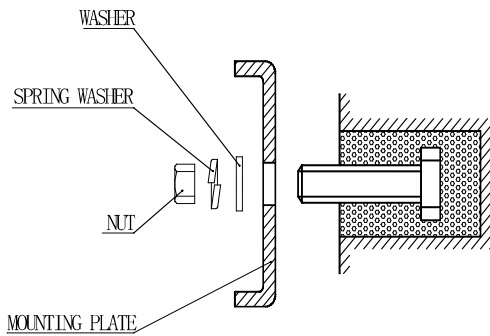
4.1.1 Remove the mounting plate.
Unclamping the fixed screws on the back of main body to remove the mounting plate.



4.1.2 Fix the bolts in the proper position (Match the position with the mounting plate.)

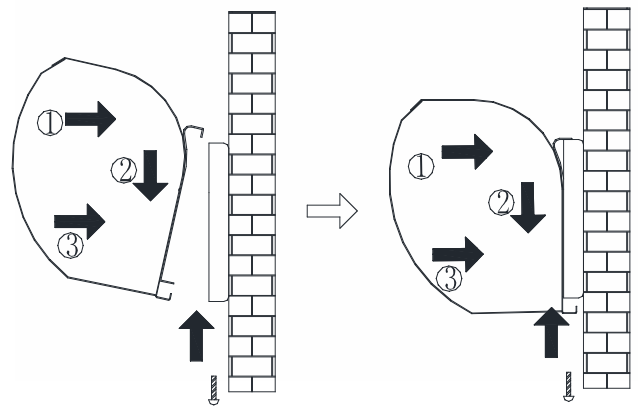


4.1.3 Fit the mounting plate



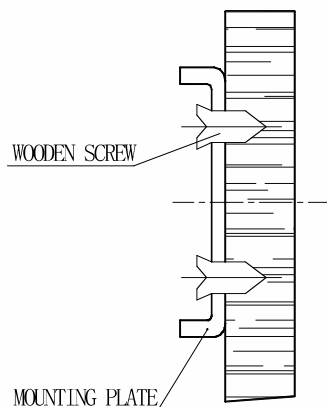
4.1.4 Install the main body

Set the main body onto the upper end of the mounting plate and clamp it as shown.

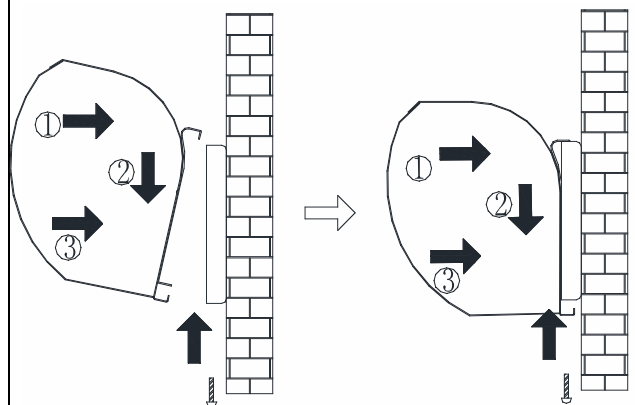


B、Installing on a wooden wall

4.2.1 Fix the mounting plate in the proper positions with tapping screw.

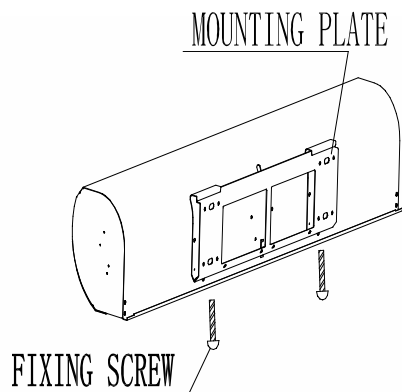


4.2.2 Proceed the same step as 4.1.4



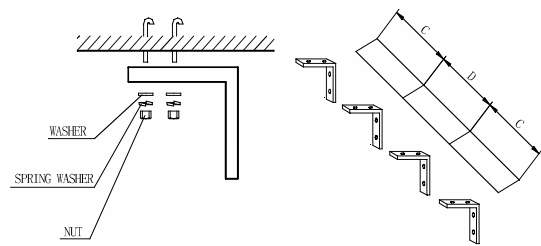
C. Hanging from the ceiling

4.3.1 Remove the mounting plate from main body (Same as step 4.1.1)

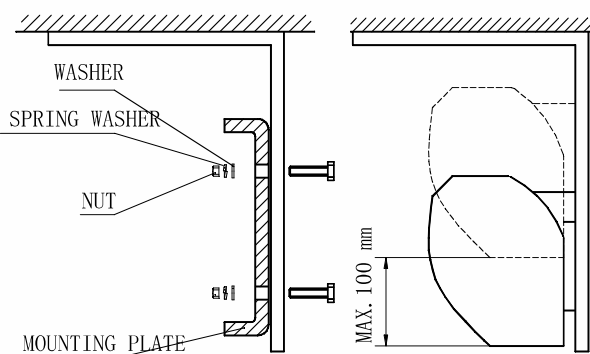


4.3.2 Fixing ceiling brackets as shown

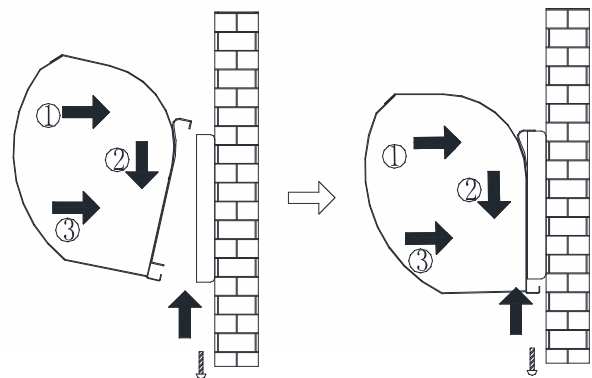
(optional parts)



4.3.3 Set the mounting plate on the ceiling brackets and fix the plate using bolts attached to the ceiling brackets as shown. Using the ceiling brackets to hang from the ceiling, the position of mounting plate can be adjusted in the limit of 100mm.



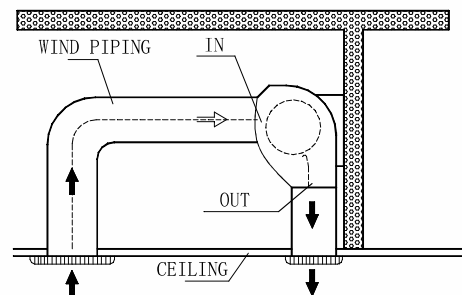
4.3.4 Do the same as step A to install the main body.



D. For above ceiling

4.4.1 Fix the air curtain as in the procedure for installing on the concrete wall.

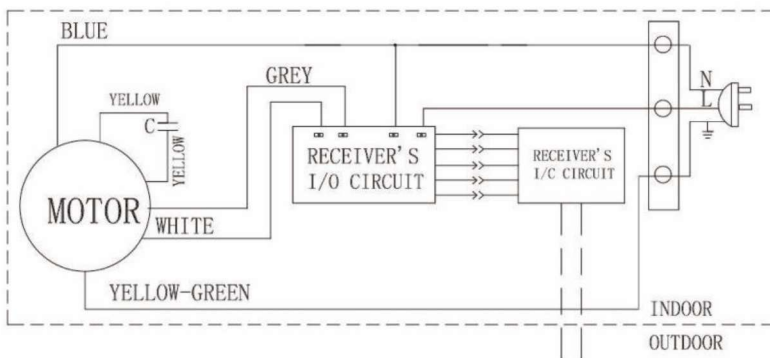
4.4.2 Then pipe as figure shown on the right.



5、 TECHNICAL INFORMATION

MODEL	Diam of wheel (mm)	Volt. (V~)	Fre q (Hz)	Max input power (W)		Max air speed (m/s)		Noise (dB)		Air volume (m ³ /h)		Net weight (Kg)	Dimension (mm)
				Hi	Lo	Hi	Lo	Hi	Lo	Hi	Lo		
FFM-3009-Y-X1	Φ 100	220-240	50	130	100	10.5	9	53	51	1250	1000	6.5	910X176X175
FFM-3012-Y-X1				170	130			55	53	1800	1450	8	1212X176X175
FFM-3015-Y-X1				210	180			56	54	2350	1850	9.5	1515X176X175

6、 WIRING DIAGRAM

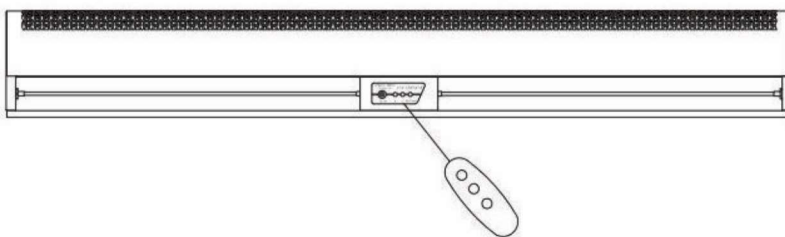


DOUBLE SPEED INFRARED REMOTE CONTROLLED WIRING DIAGRAM

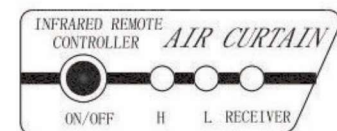
7、 OPERATION

- 7.1 Turn on the power.
- 7.2 Select the suitable speed : High[Hi]、 Low[Lo]
- 7.3 adjust the grid to obtain the best effect.

A



B



8、 CAUTIONS

8.1 Use the unit at the rated voltage and frequency indicated on the nameplate.

8.2 Disconnect power source before unit servicing.

8.3 Routine maintenance must be done every year.

8.4 Never use petrol, benzene, thinners or any other such chemical for cleaning the unit.

8.5 Don't allow water or any liquid to enter the motor.

8.6 When power supply comes from a socket, the plug must be in accordance with IEC335-1.

When the power cord is connected directly to power ensure an appropriate circuit breaker is installed to comply with local regulations.



Manufacturer/Gyártó: Guangzhou Ruilong Electrical Appliance Ltd.
East Side of Hua Chen Market, Hua Shan Town
Hua Du District, Guangzhou, China

Importer/Importőr: Columbus Klímaértékesítı Kft.
H-2142 Nagytarcsa, Pesti út 15